

Rinnai



Hotflo

Gas Storage Hot Water



A cost effective replacement

Installation as fast and easy as the hot water it produces

Designed to be a quick, easy and cost effective replacement for your existing 3 or 4 star gas storage system, the Rinnai Hotflo range offers you a choice of 135 or 170 litre storage capacities and delivers mains pressure hot water to multiple taps at once.

Rinnai have optimised gas consumption to reduce energy usage without compromising on performance. This allows for sufficient first hour delivery and recovery capability whilst maintaining the life expectancy of the water heater.

We're at your service

The National Customer Care Centre provides first class service and maintenance of your system, ensuring it's running at its highest efficiency - so you can enjoy the Rinnai experience for many years to come.

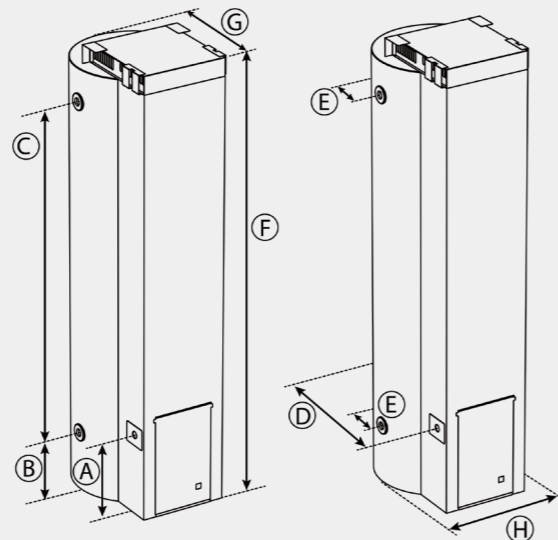
Operating 5 days a week
(Monday to Friday)

13 43 73



Features and Benefits

-  **Warranty**
8 year cylinder warranty. 1 year parts & labour
-  **Safety**
Thermostatically controlled with safety temperature shut off for added peace of mind.
-  **Star Rating**
4 Star energy rating.
-  **Easy Changeover**
Identical footprint to existing 3 & 4 star tanks for quick changeover. Hard water anode and LPG models available.
-  **Quality**
Vitreous enamel lined steel tank with inbuilt anode protection.
-  **Failsafe**
Pressure temperature relief valve supplied.
-  **Flow Rate**
Mains pressure hot water delivery.
-  **Location**
External use only.



Technical Information

Model	GHF4135	GHF4170
Capacity	135L	170L
Star Rating	4.7	4
Installation Type	External	
First Hour Delivery (L)	209	257
Recovery Rate @ 45OC rise (L/hr)	74	87
Hourly Gas consumption NG (MJ/hr)	17	20.5
Hourly Gas consumption LPG (MJ/hr)	17	19.5
Weight Empty (kg)	68	83
Relief Valve Setting (kPa)	1000	
Max Water Supply without ECV (kPa)	800	
Max Water Supply with ECV (kPa)	680	
Recommended ECV (kPa - if required)	850	
Recommended PLV (kPa - if required)	500	
Water Connections	Rp 3/4 / 20	
Gas Connection	Rp 1/2 / 15	
Warranty years (cylinder)	8	
Warranty years (parts and labour)	1	
F Height (mm)	1579	1915
H Width (mm)	420	
G Depth (mm)	508	
C Hot height (from cold inlet) (mm)	988	1213
B Cold height (from ground) (mm)	328	403
C + B Hot height (from ground) (mm)	1316	1616
A Gas height (mm)	276	
D Gas depth (mm)	459	
E Water depth (mm)	210	
Capacity	135L	170L
First hour capacity (@ 60°C)	270	305
Warm Climate	1 - 4	1 - 5
Cool Climate	1 - 5	1 - 6

You can select the right capacity Hotflo either for your current hot water needs or future needs as your family and demand grows. Sizing assumes AAA rated or 3 star outlets. Consult with your hot water specialist for further information.

With our policy of continuous improvement, we reserve the right to change, or discontinue at any time, specifications or designs without notice. Note: All images contained within this brochure are for illustrative purposes only, the colours and finishes of the products featured are as close to the respective product range as photographic lighting and printing processes allow.

*For full terms & conditions visit www.rinnai.com.au

Rinnai Australia Pty Ltd

ABN 74 005 138 769

100 Atlantic Drive,
Keysborough, Victoria 3173

For further information
call 1300 555 545 or visit
rinnai.com.au

TOTAL HOME COMFORT



HOT WATER



HEATING



COOLING

Rinnai